

6

5

4

3

2

1

RoHS
COMPLIANT

D

D

C

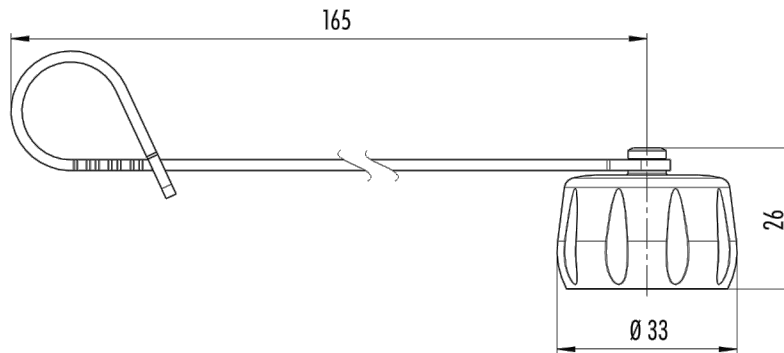
C

B

B

A

A



NOTE: FOR USE WITH PDI P/N: PD-HEC-MCC

| | | | |
|-----------|------|--------|------|
| REVISIONS | CHNG | CHK | APPR |
| REV | DATE | CHANGE | |

| | |
|-----------------------------------------|---------|
| TOLERANCE UNLESS OTHERWISE SPECIFIED | |
| X | ± 1 |
| X.X | ± 0.4 |
| X.XX | ± 0.13 |
| DRAWN BY | PB |
| DATE: | 7/29/14 |
| CHECK BY | |
| DATE: | |
| APPR BY | |
| DATE: | |

| | |
|------------------------------------------------------------|--------------------------------------------------------------------|
| Power Dynamics, Inc. | |
| Phone: 973 560-0019 Whippany, New Jersey Fax: 973 560-0076 | |
| PART: PROTECTION CAP FOR HEC MALE CABLE CONNECTOR | |
| PD-HEC-MCC-CAP | |
| SHEET 1 of 1 | |
| PART #: | |
| SIZE: A | ALL DIMENSIONS FOR REFERENCE ONLY DIMENSIONS ARE IN MILLIMETERS |
| SCALE: NTS | REV: |

6

5

4

3

2

1